



■ Features :

- True sine wave output (THD<3%)
- High surge power up to 400W
- High efficiency up to 88%
- Fanless design, cooling by free air convection
- Built-in remote ON-OFF control
- Front panel indicator for operation status
- Power ON-OFF switch
- Protections: Bat. low alarm / Bat. low shutdown / Over voltage / Over temp. / Output short / Input reverse polarity / Overload
- Application : Home appliance, power tools, office and portable equipment, vehicle and yacht ...etc.
- 2 years warranty



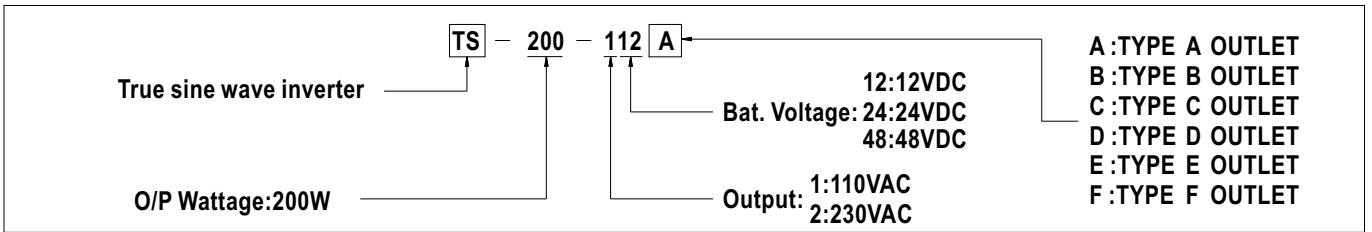
SPECIFICATION

| MODEL | TS-200-112□ | TS-200-124□ | TS-200-148□ | TS-200-212□ | TS-200-224□ | TS-200-248□ | | |
|--------------------------|--|-------------|---|---|-------------|--|---|------------|
| OUTPUT | RATED POWER | | | | | | 200W | |
| | MAXIMUM OUTPUT POWER | | | | | | 230W for 180 sec. / 300W for 10 sec. / surge power 400W for 30 cycles(typ.) | |
| | AC VOLTAGE | | | Factory setting set at 110VAC | | | Factory setting set at 230VAC | |
| | | | | 100 / 110 / 115 / 120VAC selectable by setting button S.W | | | 200 / 220 / 230 / 240VAC selectable by setting button S.W | |
| | FREQUENCY | | | | | | 60±0.1Hz 50/60Hz selectable by setting button | |
| | WAVEFORM | | | | | | True sine wave (THD<3%) at rated input voltage | |
| | AC REGULATION typ. | | | | | | ±3.0%, at rated input voltage | |
| FRONT PANEL INDICATOR | | | | | | Operation status ; Green : normal, Orange(flashing) : remote control OFF, Red : abnormal | | |
| INPUT | BAT. VOLTAGE | | 12V | 24V | 48V | 12V | 24V | 48V |
| | VOLTAGE RANGE (Typ.) | | 10.5 ~ 15VDC | 21 ~ 30VDC | 42 ~ 60VDC | 10.5 ~ 15VDC | 21 ~ 30VDC | 42 ~ 60VDC |
| | DC CURRENT (Typ.) | | 20A | 10A | 5A | 20A | 10A | 5A |
| | NO LOAD CURRENT DRAW typ. | | 1.25A | 0.63A | 0.32A | 1.25A | 0.63A | 0.62A |
| | OFF MODE CURRENT DRAW | | ≤1mA | | | | | |
| | EFFICIENCY (Typ.) Note.1 | | 86% | 87.5% | 88% | 86% | 87.5% | 88% |
| | BATTERY TYPES | | Open & sealed Lead Acid | | | | | |
| BATTERY INPUT PROTECTION | FUSE | | 30A*2 | 30A*1 | 15A*1 | 30A*2 | 30A*1 | 15A*1 |
| | BAT. LOW ALARM | | 11.3±4% | 22.5±4% | 45±4% | 11.3±4% | 22.5±4% | 45±4% |
| | BAT. LOW SHUTDOWN | | 10.5±4% | 21±4% | 42±4% | 10.5±4% | 21±4% | 42±4% |
| | BAT. POLARITY | | By internal fuse open | | | | | |
| OUTPUT PROTECTION | OVER TEMPERATURE | | 85°C±5°C | 80°C±5°C | 80°C±5°C | 85°C±5°C | 80°C±5°C | 80°C±5°C |
| | OUTPUT SHORT | | Protection type : Shut down o/p voltage, re-power on to recover; by internal RTH1 detect power transistor | | | | | |
| | OVER LOAD (Typ.) | | 105 ~ 115% load for 180 sec., 115% ~ 150% load for 10 sec. | | | | | |
| | GFCI PROTECTION | | Optional (Only type F) | | | | None | |
| FUNCTION | REMOTE CONTROL | | Open : Normal work ; Short : Remote off | | | | | |
| ENVIRONMENT | WORKING TEMP. | | -10 ~ +35°C @ 100% load ; +60°C @ 50% load | | | -10 ~ +40°C @ 100% load, +60°C 50% load | | |
| | WORKING HUMIDITY | | 20% ~ 90% RH non-condensing | | | | | |
| | STORAGE TEMP., HUMIDITY | | -30 ~ +70°C / -22 ~ +158°F, 10 ~ 95% RH | | | | | |
| | VIBRATION | | 10 ~ 500Hz, 3G 10min./1cycle, 60min. each along X, Y, Z axes | | | | | |
| SAFETY & EMC | SAFETY STANDARDS | | Design refer to UL458 | | None | | | |
| | LVD | | None | | | EN60950-1 | | |
| | WITHSTAND VOLTAGE | | Bat. I/P - AC O/P:3.0KVAC AC O/P - FG:1.5KVAC | | | | | |
| | ISOLATION RESISTANCE | | Bat. I/P-AC O/P, AC O/P-FG:100M Ohms / 500VDC / 25°C / 70% RH | | | | | |
| | EMI CONDUCTION&RADIATION | | Compliance to FCC class A | | | Compliance to EN55022 class A, 72/ 245/ CEE, 95/ 54/ CE, E-Mark | | |
| | EMS IMMUNITY | | None | | | Compliance to EN61000-4-2,3,8 ENV50204 | | |
| OTHERS | DIMENSION | | 205*158*59mm (L*W*H) | | | | | |
| | PACKING | | 1.63Kg; 6pcs/10.8Kg/1.44CUFT | | | | | |
| NOTE | 1.Efficiency is tested by 200W, linear load at 12V/24V/48V input voltage. 2.All parameters not specified above are measured at rated load, 25°C of ambient temperature. | | | | | | | |



200W True Sine Wave DC-AC Power Inverter

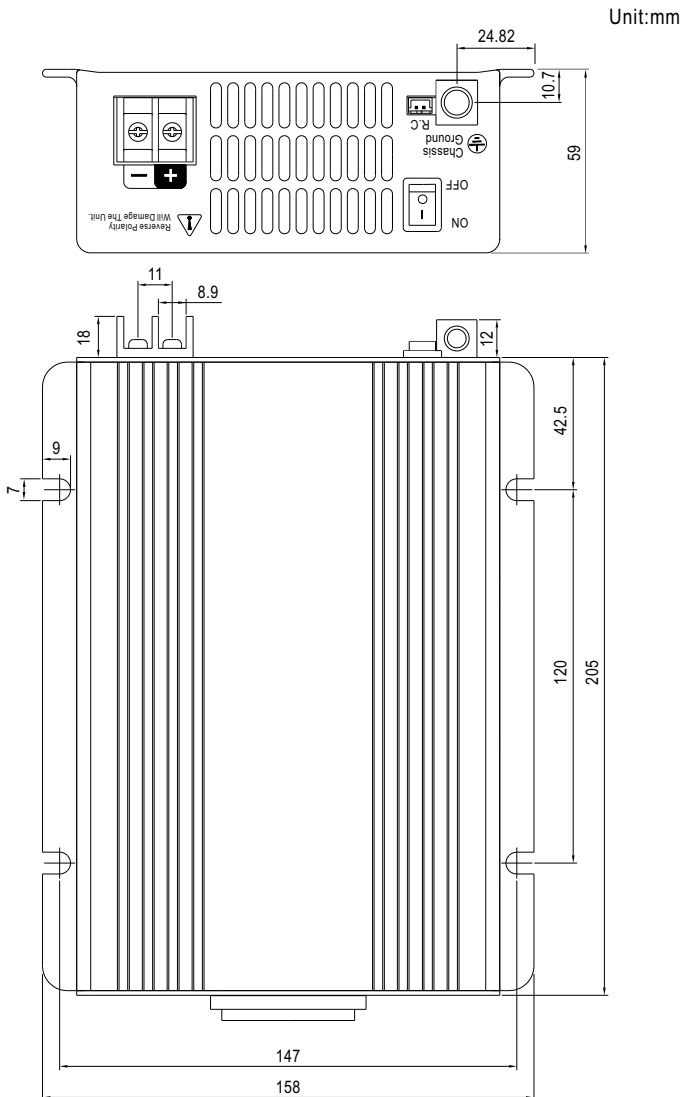
TS-200 series



■ AC Output Receptacles (optional)

| Receptacle type | | | | | | |
|-----------------|--------|--------|-----------|--------|--------|--------|
| | TYPE-A | TYPE-B | TYPE-C | TYPE-D | TYPE-E | TYPE-F |
| Country | USA | EUROPE | AUSTRALIA | U.K | JAPAN | GFCI |
| Certificate | | | | | | |

■ Mechanical Specification



■ Derating Curve

