



■ Features :

- 12V or 24V DC input
- Power ON-OFF switch
- Input voltage range: -15% ~ +25%
- Output voltage regulation: ±10%
- Protections: Bat. Low alarm/Bat. Low shutdown/Over voltage/Over temp./Output shout/Input polarity reverse/Over load.
- Output waveform: Modified sine wave
- Cooling fan ON-OFF control
- Topology: Microprocessor
- Approvals: e13/ CE
- 1 year warranty



SPECIFICATION

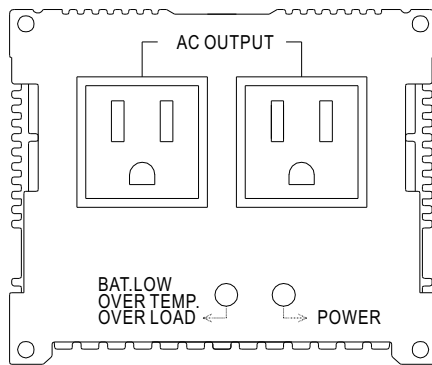
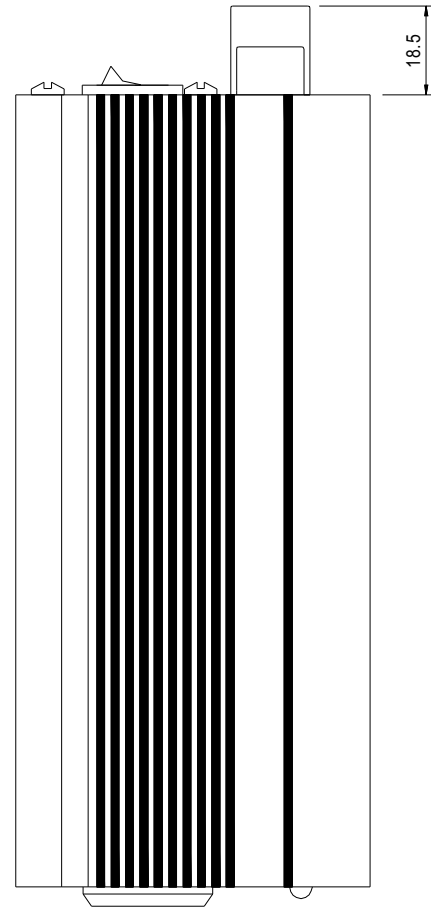
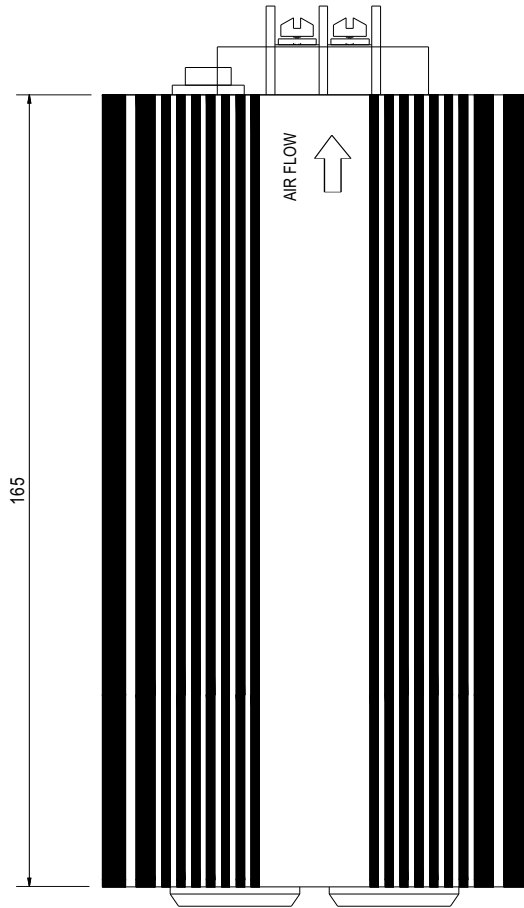
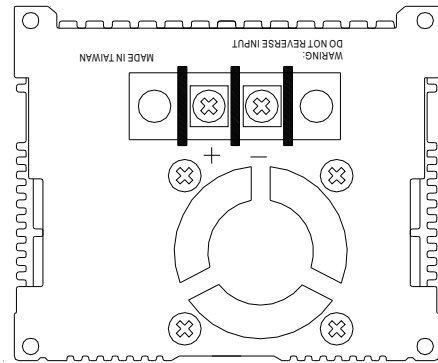
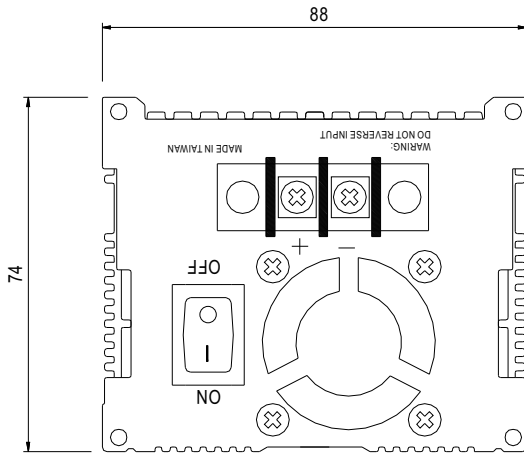
ORDER NO.	A301-300-B2	A301-300-F3	A302-300-B2	A302-300-F3	
OUTPUT	SAFETY MODEL NO. A-300-300W				
	AC VOLTAGE	110V	230V	110V	230V
	RATED POWER	300W			
	SURGE POWER	600W			
	WAVEFORM	Modified Sine Wave			
	FREQUENCY	60Hz±1%	50Hz±1%	60Hz±1%	50Hz±1%
	AC REGULATION	±10%		±10%	
	STANDARD RECEPTACLES	TYPE-2* 2ea	TYPE-3* 1ea	TYPE-2* 2ea	TYPE-3* 1ea
LED INDICATOR	Green LED for power on; Red LED for power failure status				
INPUT	DC CURRENT	35A		15A	
	NO LOAD CURRENT DRAW	0.36A		0.2A	
	DC VOLTAGE	12V		24V	
	VOLTAGE RANGE	10 ~ 15VDC		21 ~ 30VDC	
	EFFICIENCY (Typ.)	82%		85%	
	DC CONNECTOR	Cigarette plug*1ea, Battery clip*1ea		Cigarette plug*1ea, Battery clip*1ea	
FUSE	Battery cord 35 A * 1, Cigarette plug 15 A * 1		Battery cord 20 A * 1, Cigarette plug 10 A * 1		
PROTECTION	BAT. LOW ALARM	10±0.5V		20±0.8V	
	BAT. LOW SHUTDOWN	9.5±0.5V		19.5±0.8V	
	OVER VOLTAGE	15~17V		30~32V	
	OVER TEMPERATURE	45±5°C / 113±9°F			
	OUTPUT SHORT	Shut-off			
BAT. POLARITY	By fuse open				
ENVIRONMENT	WORKING TEMP.	0 ~ 30°C @ 100% load, 40°C @ 50% load			
	WORKING HUMIDITY	20% ~ 90% RH non-condensing			
	STORAGE TEMP., HUMIDITY	-30~+70°C / -22~+158°F, 10~95% RH			
	TEMP. COEFFICIENT	±0.05% / °C (0~50°C)			
SAFETY & EMC	ISOLATION RESISTANCE	I/P-O/P:100M Ohms / 500VDC			
	EMI CONDUCTION & RADIATION	Compliance to EN55022 class B, 72/ 245/ CEE, 95/ 54/ CE			
	EMS IMMUNITY	Compliance to EN61000-4-2,3			
	LVD	Compliance to EN60950			
OTHERS	MTBF	200Khrs min. MIL-HDBK-217F (25°C)			
	DIMENSION	165*88*74mm (L*W*H)			
	PACKING	1.1kg ; 16pcs / 19kg / CARTON			
	COOLING	>100W or >40°C (NTC) fan on			
	APPLICATIONS	Home appliance, Power tools, Office and Portable equipment and Vehicle ...etc.			

■ AC Output Receptacles (optional)

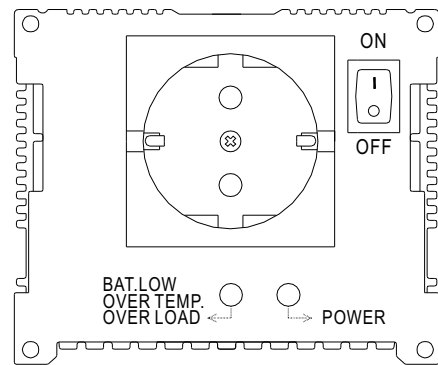
TYPE-1	TYPE-2	TYPE-3	TYPE-4	TYPE-5	TYPE-6
JAPAN	USA	EUROPE	UNIVERSAL	AUSTRALIA	U.K

Mechanical Specification

Unit:mm



USA



EUROPE