

AC - DC Power Modules



Features:

- Universal input 85 to 264 V ac
- High efficiency up to 89%
- Short circuit protection
- Internal input filter

AC - DC Din rail mountable
60 W class 2 output
Industrial control equipment

Model List

Model No.	Input Voltage	Output Wattage	Output Voltage	Output Current	EFF. (Minimum)	EFF. (Typical)
Single Output Models						
DRAN60-05	85 to 264 V ac	50 W	+5 V dc	10,000 A	79%	77%
DRAN60-12		60 W	+12 V dc	5,000 A	86%	84%
DRAN60-24		60 W	+24 V dc	2,500 A	89%	86%

Specifications

All specifications typical at nominal line, full load, 25°C unless otherwise noticed

General						
Characteristics	Conditions	Minimum	Typical	Maximum	Unit	
Isolation Voltage	Input / output	3,000	-	-	V ac	
Isolation Resistance	Input / output, at 500 V dc	100	-	-	MΩ	
Ambient Temperature	Operating at Vi nom	-10	-	+71	°C	
Derating	Vi nom, from +61°C to +71°C	-	-	2.5	% / °C	
Storage Temperature	Non Operational	-25	-	+85	°C	
Relative Humidity	Vi nom, Io nom	20	-	95	% RH	
Dimension	L90 × W40.5 × D115	-	-	-	mm	
Cooling	Free air convection	-	-	-	-	
Case Material	Plastic	-	-	-	-	

AC - DC Power Modules



Input Specifications					
Characteristics	Conditions	Minimum	Typical	Maximum	Unit
Rated Input Voltage	Io nom	100	-	240	V ac
Input Voltage Range	Ta minimum to Ta maximum, AC in	85	-	246	
	Io nom DC in	90	-	375	V dc
Line Frequency	Vi nom, Io nom	47	-	63	Hz
Inrush Current	Io nom Vi : 115 V ac	-	-	30	A
	Io nom Vi : 230 V ac	-	-	60	

Output Specifications					
Characteristics	Conditions	Minimum	Typical	Maximum	Unit
Output Voltage Accuracy	Vi nom, Io minimum to Io nom	-	-	±1	%
Minimum Load	Vi nom	0	-	-	
Line Regulation	Io nom, Vi minimum to Vi maximum	-	-	0.5	
Load Regulation	Vi nom, Vi minimum to Io nom	-	-	-	ms
Turn on Time	After AC is applied to input at full resistive load	-	-	1,000	
Voltage Fall Time	Io nom, Vo = 95% to 10% rated voltage	-	-	150	
Voltage Rise Time	At full resistive load	-	-	-	
Hold up Time	Io nom Vi = 115 V ac	20	-	-	ms
	Io nom Vi = 230 V ac	30	-	-	
Ripple and Noise	Vi nom, Io nom, BW = 20 MHz	-	-	50	mV
Voltage Trim Range	Vi nom, Wo = 50 W maximum 5 V models	5	-	5.5	V dc
	Vi nom, Wo = 60 W maximum 12 V models	12	-	14	
	Vi nom, Wo = 60 W maximum 24 V models	24	-	28	
DC on Indicator Threshold at Start up	Vi nom, Io nom 5 V models	4	-	-	V dc
	Vi nom, Io nom 12 V models	9.6	-	-	
	Vi nom, Io nom 24 V models	19.2	-	-	
Efficiency	Vi nom, Io nom, Po / Pi	Up to 89%, see model list			

Control and Protection					
Characteristics	Conditions	Minimum	Typical	Maximum	Unit
Rated Over Load Protection	Vi nom	110	-	150	%
Over Voltage Protection	Vi nom, Io nom 5 V models	6	-	6.8	V dc
	Vi nom, Io nom 12 V models	15	-	16.5	
	Vi nom, Io nom 24 V models	30	-	33	
Output Short Circuit	Vi nom, Io nom	Fold forward			

Approvals and Standards	
UL / cUL	UL508 Listed UL1310 Class 2 power supply (5 V, 12 V w/o class 2), UL60950-1 recognized
TUV	EN60950-1

AC - DC Power Modules

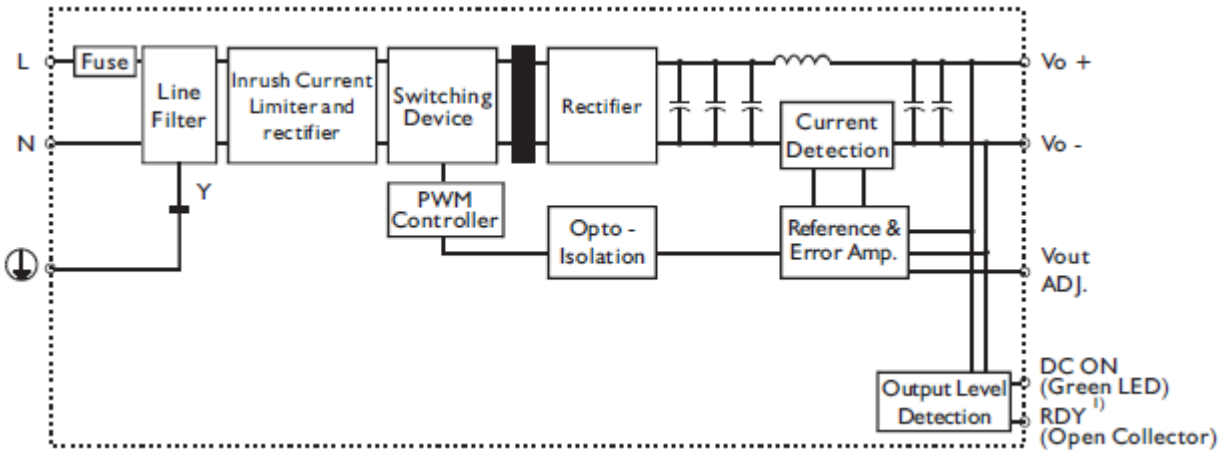


Approvals and Standards

CE	EN61000-6-3, EN55022 class B
	EN61000-3-2, EN61000-3-3
	EN61000-6-2, EN55024, EN61000-4-2, EN61000-4-3, EN61000-4-4, EN61000-4-5, EN61000-4-6, EN61000-4-8, EN61000-4-11

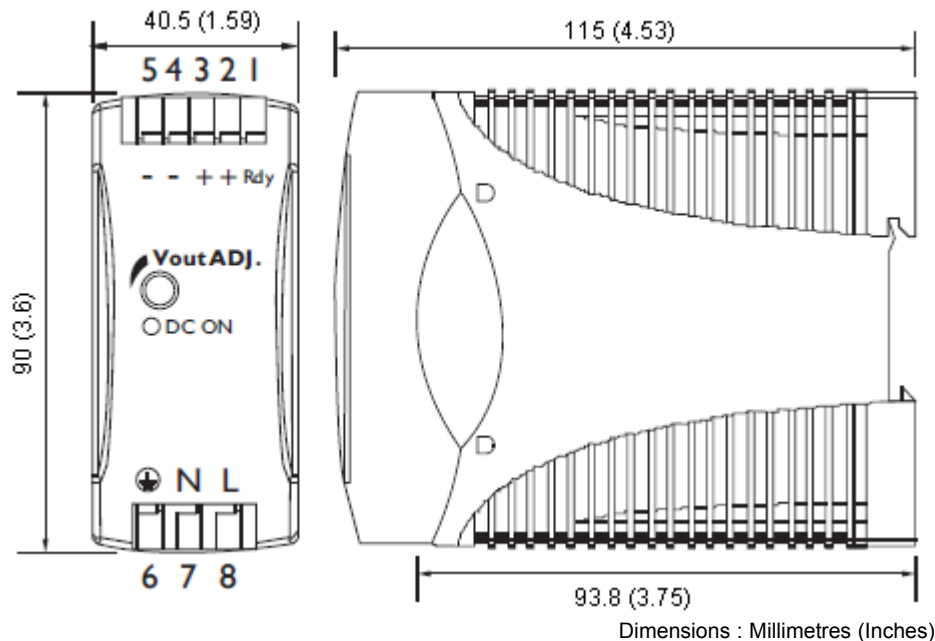
Circuit Schematic

Block diagram for DRAN60 series



Note: 1) For 24 V Model Only

Mechanism and Pin Configuration



Construction

Easy snap-on mounting onto the DIN-Rail (TS35/7.5 or TS35/15), unit sits safely and firmly on the rail; no tools required even to remove

Installation

Ventilation / Cooling
 Normal convection
 All sides 25 mm / m free space
 For cooling recommended
 Connector size range
 Solid : 0.2-2 mm (AWG24-14)
 (use copper conductors only)

Physical Characteristics

Case Size : 90 × 40.5 × 115 mm 3.6 × 1.59 × 4.53 inches
 Case Material : Plastic
 Weight : 360 g

www.element14.com
 www.farnell.com
 www.newark.com

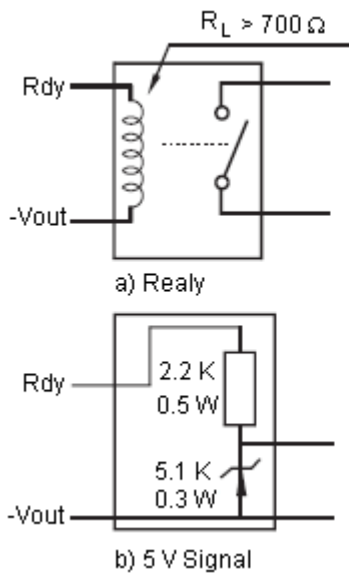


AC - DC Power Modules

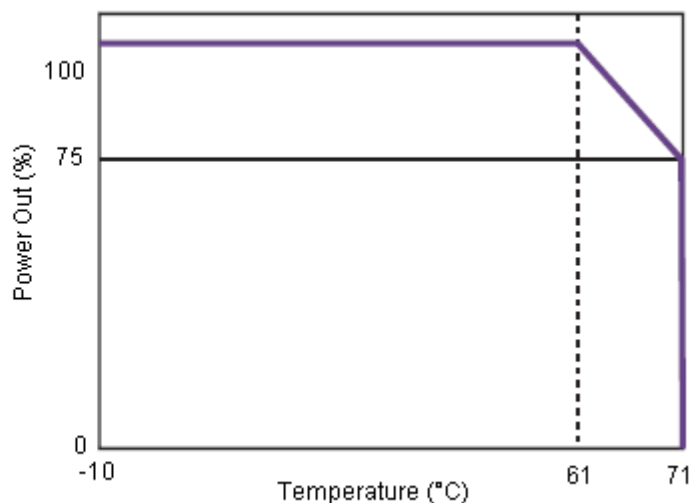
Pin Assignment

Pin Number	Designation	Description
1	RDY	DC OK output for relay (not connect except 24 V model)
2	Out	+
3		+
4		-
5		-
6	In	
7		N
8		L
-	Other	Vout ADJ.
-		DC ON

Figure 1 Rdy connection



Derating



Part Number Table

Description	Part Number
PSU, Din Rail, 60 W, 5 V	DRAN60-05
PSU, Din Rail, 60 W, 12 V	DRAN60-12
PSU, Din Rail, 60W, 24V	DRAN60-24

Important Notice : This data sheet and its contents (the "Information") belong to the members of the Premier Farnell group of companies (the "Group") or are licensed to it. No licence is granted for the use of it other than for information purposes in connection with the products to which it relates. No licence of any intellectual property rights is granted. The Information is subject to change without notice and replaces all data sheets previously supplied. The Information supplied is believed to be accurate but the Group assumes no responsibility for its accuracy or completeness, any error in or omission from it or for any use made of it. Users of this data sheet should check for themselves the Information and the suitability of the products for their purpose and not make any assumptions based on information included or omitted. Liability for loss or damage resulting from any reliance on the Information or use of it (including liability resulting from negligence or where the Group was aware of the possibility of such loss or damage arising) is excluded. This will not operate to limit or restrict the Group's liability for death or personal injury resulting from its negligence. Multicomp is the registered trademark of the Group. © Premier Farnell plc 2012.